

Please read all instructions before using this liquid cooling box and keep this manual always at hand.

1 **To guarantee your rights, please confirm the completeness of the following information before you use it.**

- 1.Liquid Cooling Box*1 (with rubber lid)
- 2.Black Dual Head Drain Plug*1
- 3.Water Tube*2
(with black and silver connectors attached to each end)
- 4.Hexagon Water Stopper*2
(it is connected to the Liquid Cooling Box)
- 5.User Manual*1
- 6.Other Accessories



CAUTION: This product is intended to be supplied by Power Adapter, output rated 19.5Vdc, 11.8A or 19.5Vdc, 16.9A or 20Vdc, 14A.



CAUTION: : We conduct outgoing quality control (oqc) with distilled water for each Liquid Cooling Box ensuring a closed loop circuit where no leakage may occur.



CAUTION: Any changes or modifications not expressly approved by the party responsible for compliance could void the user's authority to operate this device.



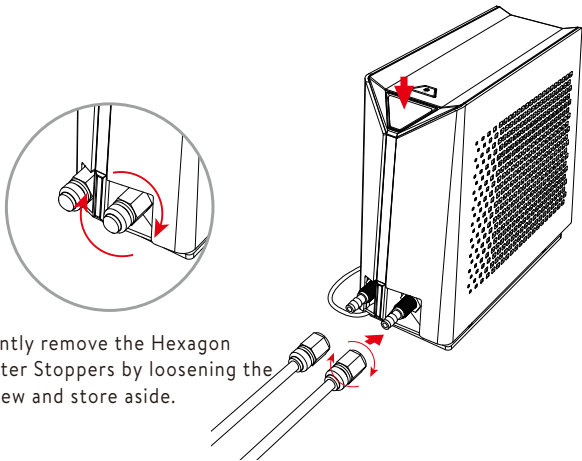
The unit can be operated at an ambient temperature of max. 35°C (95°F). Do not subject it to temperatures below 5°C (41°F) or above 35°C (95°F).



CAUTION: Using unauthorized extension cables/tubes will invalidate your warranty.

2 Prepare your Liquid Cooling Box

1. Read the User Manual before operating Liquid Cooling Box.
2. Check if the (black and silver) connectors are attached to the Water Tubes firmly.
3. Gently remove the Hexagon Water Stoppers on the Liquid Cooling Box (do not throw it away, store it aside as it will be used later).
4. Gently attach (tighten the screws) the black connectors on the Water Tubes to the Liquid Cooling Box, make sure it is attached firmly and avoid twisting tubes.
5. Place the Liquid Cooling Box horizontally on the desk.



Gently remove the Hexagon Water Stoppers by loosening the screw and store aside.

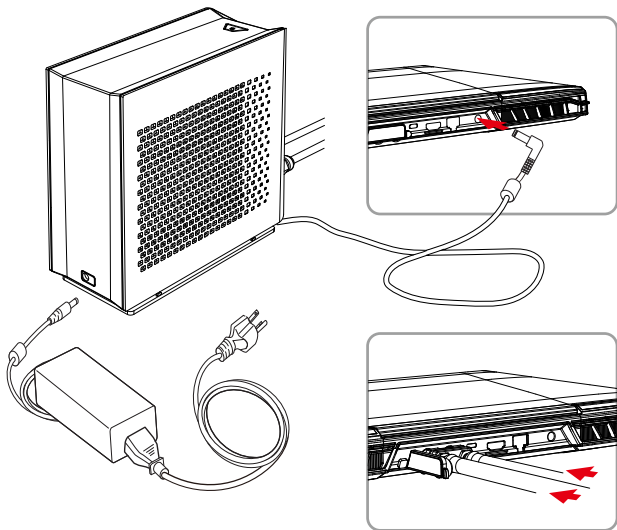
Attach the black connectors to the Liquid Cooling Box firmly by tightening the screw. Avoid from twisting tubes while and after attaching to the Liquid Cooling Box.



CAUTION: Do not use wrench to lock the water pipe. Tighten with fingers can prevent water leakage. Improper force may damage the joint.

3 **Connect Liquid Cooling Box to the Laptop**

1. Place the laptop on the desk, open the rubber flap on the rear side of the laptop.
2. Insert the silver connector in parallel to the laptop, you will hear a small click sound when attached correctly (note. refrain from twisting the Water Tubes and keep it at bent state instead of straightening the tubes).
3. Connect the power adaptor to the Liquid Cooling Box's DC port (note. don't plug in the power yet).
4. Connect Liquid Cooling Box's DC Cable to the laptop's DC port (note. don't plug in the power yet).



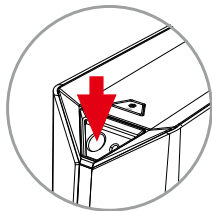
DC INPUT: 230 Watts (19.5V/11.8A)
280 Watts (20V/14A) Option
330 Watts (19.5V/16.9A) Option

Parallely insert connectors
into the laptop.

4 Inject water into the Liquid Cooling Box

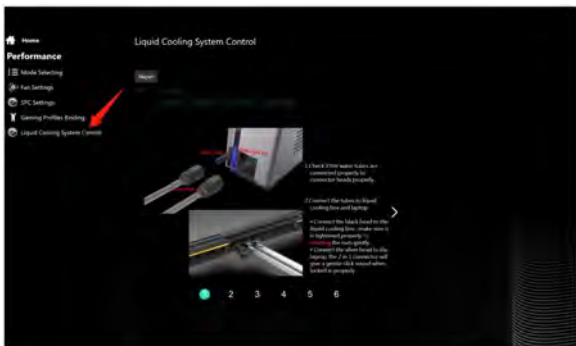
1. Open the rubber lid on the Liquid Cooling Box, note that the water injection hole is quite small (ventilation hole is on the right hand side), recommend using a syringe or funnel for assistance when injecting water. Also, distilled water is recommended.
2. After filling in distilled water, long press the power button located on the Liquid Cooling Box for 4-5 seconds. The power button will glow in purple indicating entering “Water Injection Mode”.
3. Alternatively, open the application “Control Center” in your laptop, click “Performance” then “Liquid Cooling System Control” module. Press the “helper” button and click on “Water Injection Mode” to enter water injection mode.
4. Monitor the water level when injecting the water, add the water above the MAX indicator for the first time (note. under normal circumstances, the silver connector will not leak water).
5. Avoid tilting the Liquid Cooling Box, after filling in the water, recap the rubber lid and make sure that no leakage is observed.

water injection hole



5 Operate your Liquid Cooling Box

- 1.Plug in the power cord to the power socket.
- 2.Turn on the laptop and make sure the Bluetooth is turned on as well.
- 3.Press the power button on the Liquid Cooling Box and the LED indicator will start glowing.
- 4.Open the application “Control Center”, click “Performance” then “Liquid Cooling System Control” module, the application will pop up “Helper Manual”.
- 5.After selecting “Device” and Click “connect” button then Liquid Cooling Box and the laptop will pair via Bluetooth (the fan and water pump are then activated).
- 6.Check all ports for leakage after five minutes, if there is, turn off the power and reconnect the port.
- 7.The water level drops in standard operation, please add distilled water and make sure the water level is above the marker indicator (note. please reference 4-3).



Liquid Cooling Box and laptop will pair automatically via Bluetooth after first pairing:
a, if both are in Bluetooth distance
b, laptop has Control Center installed

6 **Disconnect your Liquid Cooling Box**

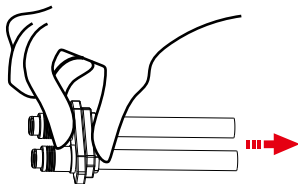
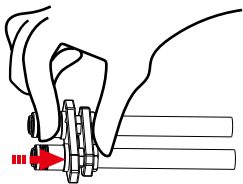
1. Disconnect the Bluetooth via application “Control Center” - “Performance” - “Liquid Cooling System Control”.
2. Turn off the power (of the Liquid Cooling Box) only when the fan stopped turning.

Note. The mentioned steps apply to normal installation and usage of Liquid Cooling Box (e.g. fixed environment).

7 Disconnect the Water Tubes

When you finished using the Liquid Cooling Box, and intend to disconnect the Water Tubes, please follow the instructions listed below:

1. Turn off the power by pressing the power button on the Liquid Cooling Box.
2. Gently squeeze the silver connector which is connected to the laptop and remove it from the laptop horizontally.



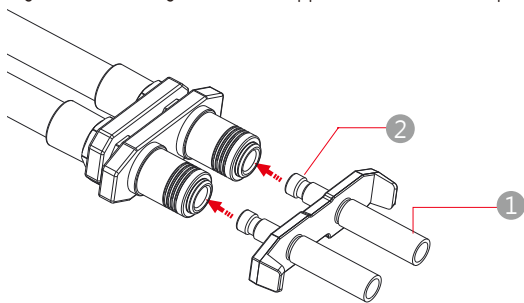
Squeeze the silver connector and remove it from the laptop horizontally.

- !** To reduce the possibility of heat-induced injury or equipment overheating:
1. In the case that the connector is connected and the water is not flowing, the connector may accumulate heat in the metal part because of the temperature generated by the operation of the system, so please be aware of the high temperature.
 2. If you want to remove the quick release connector, make sure the Liquid Cooling Box is turned off (to avoid water leakage) and test the connector by hand to make sure the temperature is not too high before removing it.

8] Change water or Travel

If you are to change the water or need to travel, please follow the instructions listed below:

1. Since system operation may lead to accumulated heat in the silver connector, recommend removing the connector horizontally only after turning off the device.
2. Insert ① into laptop's drain tubes (4mm deep) to assist draining additional liquid in the laptop.
3. Put laptop's rubber flap back on (squeeze it tight) to avoid minor water leakage.
4. Insert ② on to the silver connector to drain the liquid in the Liquid Cooling Box.
5. Remove the Black Dual Head Drain Plug when the liquid is emptied, and gently tighten the Hexagon Water Stoppers on to the drain port.

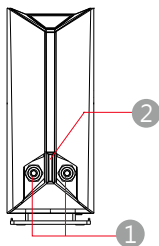


If you intend to remove the Black Dual Head Drain Plug, squeeze the silver connector to unlock and remove it after.

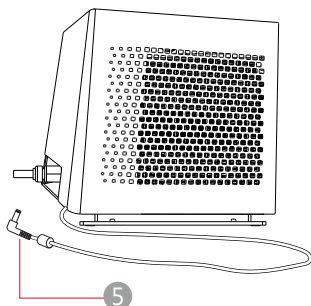
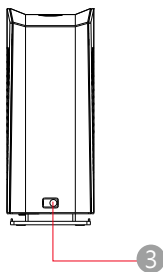
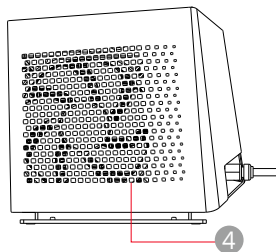


1. If you need to travel, please empty the liquid in the Liquid Cooling Box, Water Tubes, and laptop's liquid cooling copper pipes to avoid water leakage during transportation, which may lead to device malfunction.
2. To prevent from water scale, please change the water regularly.
3. Check if there are water leakage when connecting or disconnecting the device, and clean up in time.

Front side view/ Back side view

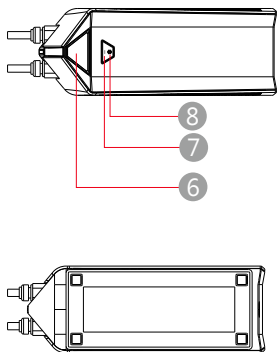


Left side view/ Right side view



The power cord can be stored around the base

Top side view/ Bottom side view



- ① Drain Pipes
- ② RGB LED
- ③ DC Port
- ④ Vents
- ⑤ Power Connector
- ⑥ Rubber Lid
- ⑦ LED Indicator*
- ⑧ Power Button

*(Colors for BT/Pump injection water/ lightbar)

- 1. Water injection : Blinking(Purple color)
- 2. BT searching :Blinking (Blue color)
- 3. BT ready : on (Blue color)
- 4. Liquid cooling system error : Blinking (Pump idling _Orange color)

Trouble Shooting Guide

- 1.If water leakage occurs: please disconnect the device immediately and check if Liquid Cooling Box's ports are connected firmly, all ports should be tightened to ensure all pipes are sealed.
- 2.Check if the laptop and Liquid Cooling Box is paired properly via Bluetooth before activating the Liquid Cooling Box, if not:
 - 2-1. Check if the power is turned on and connected.
 - 2-2. Check if the Control Center is installed.
 - 2-3. Check if laptop's Bluetooth is turned on.
 - 2-4. Restart laptop and Liquid Cooling Box so it can pair again.
- 3.When Liquid Cooling Box's water pump is malfunctioning: the power button will flicker in red light and shut down automatically after 10 seconds.
- 4.When there is more air in the Water Tubes: use Black Dual Head Drain Plug and insert it into the silver connector for two seconds, then squeeze the Water Tubes and lean the Liquid Cooling Box to drain the air out (please note that there's no leaking from the Water Tank).

Device Maintenance

- 1.Replace the water in Liquid Cooling Box's water tank regularly, check 4 Inject water into the Liquid Cooling Box, 7 Disconnect the Water Tubes and 8 Change water or Travel for more details.
- 2.When using Liquid Cooling Box in sub-zero temperature, please drain the water completely after every usage, to prevent the pipes from frost crack.
- 3.Using distilled water is recommended.

Note.

1. Due to different water quality, mineral water has higher chance of water scaling.
2. Coolant and chemical toxic liquid are not recommended.
3. Please do not connect to power before water injection (only turn on the power/ connect to power if it is filled with water).
4. If there is abnormal noise coming from the pump, this could be the result of air bubbles still trapped inside the tubes, Troubleshooting steps are as below:
 - 4.1 Disconnect the “2 in 1 Quick release connector” from the rear side of the laptop and use the provided tool (item illustrated in Page 7) and insert into the “2 in 1 quick release connector” to allow the water to flow out for 2 seconds.
 - 4.2 Pinch and release the right tube repeatedly for a few times.
 - 4.3 Tilt the Liquid Cooling Box left slightly or backwards and hold this position for 3 seconds before placing it back into original position. (Please note* when following the above steps, the top Lid of the box must be capped on at all times to prevent water leakage.)

Reminder

1. Please read the User Manual before operating the device.
2. Please check all ports in case of water leakage before powering up the device.
3. In the case that the connector is connected and the water is not flowing, the connector may accumulate heat in the metal part because of the temperature generated by the operation of the system, so please be aware of the high temperature.
4. If you want to remove the quick release connector, make sure the Liquid Cooling Box is turned off (to avoid water leakage) and test the connector by hand to make sure the temperature is not too high before removing it.
5. Any changes or modifications not expressly approved by the party responsible for compliance could void the user's authority to operate this device.
6. Using unauthorized extension cables/tubes will invalidate your warranty.

Regulations Information

CE compliance

This device is classed as a technical information equipment (ITE) in class B and is intended for use in living room and office. The CE-mark approves the conformity by the EU-guidelines:

- EMC Directive 2014/30/EU,
- Low Voltage Directive 2014/35/EU(equals A2 : 2013) ,
- RF Directive 2014/53/EU

FCC Information

FEDERAL COMMUNICATIONS COMMISSION INTERFERENCE STATEMENT

This equipment has been tested and found to comply with the limits for a Class B digital device, pursuant to part 15 of the FCC Rules. These limits are designed to provide reasonable protection against harmful interference in a residential installation. This equipment generates, uses and can radiate radio frequency energy and, if not installed and used in accordance with the instructions, may cause harmful interference to radio communications. However, there is no guarantee that interference will not occur in a particular installation. If this equipment does cause harmful interference to radio or television reception, which can be determined by turning the equipment off and on, the user is encouraged to try to correct the interference by one or more of the following measures:

- Reorient or relocate the receiving antenna.
- Increase the separation between the equipment and receiver.
- Connect the equipment into an outlet on a circuit different from that to which the receiver is connected.
- Consult the dealer or an experienced radio/ TV technician for help.



CAUTION: Any changes or modifications not expressly approved by the grantee of this device could void the user's authority to operate the equipment.

RF Exposure Warning

This equipment must be installed and operated in accordance with provided instructions and the antenna(s) used for this transmitter must be installed to provide a separation distance of at least 20cm from all persons and must not be co-located or operating in conjunction with any other antenna or transmitter. End-users and installers must be provide with antenna installation instructions and transmitter operating conditions for satisfying RF exposure compliance.



CAUTION: Any changes or modifications not expressly approved by the grantee of this device could void the user's authority to operate the equipment.